

BLACKHAWK EQUIPMENT FABRICATION DIVISION

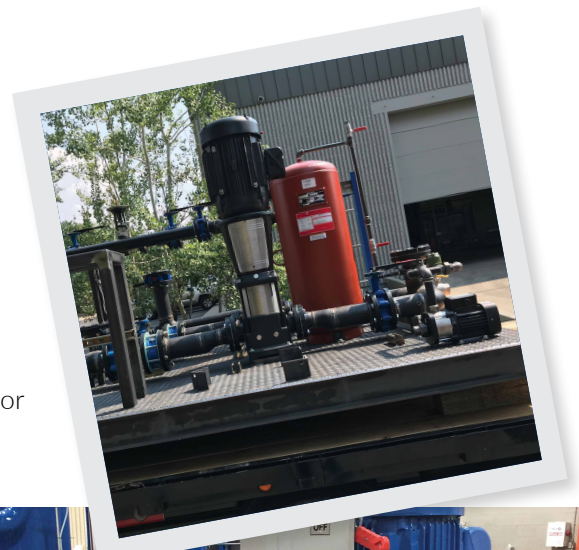


Blackhawk Equipment Corporation, founded in 1985, is the premier distributor of Sullair brand products in Colorado. As a **leader in the air compressor industry** we specialize in providing comprehensive air solutions.

Our mission is to **provide top quality and cost effective systems and support tailored to the specific needs** of our customers. Located in Arvada, Colorado our 30,000 sq. ft. facility houses our sales, service, engineering, fabrication and parts divisions. Collaboration between divisions ensures a single source for all of your compressed air industrial equipment custom fabrication needs.

Why Blackhawk

- **Industrial equipment distributor** – equipment is suited for long term operation in harsh environments
- **Offer centralized systems** – air, vacuum, and chillers suited for larger scale and expandable operations
- **Sizing and installation support** – based on a proven track record in the industrial equipment market
- **On hand inventory** – replacement units and parts
- **Service support** – on all equipment represented
- **Direct warranty coverage** – as the factory direct manufacturer distributor



PROVEN & RELIABLE FABRICATION CAPABILITIES



> Welding

- Aluminum
- Mild-Steel
- Stainless steel
- AWS Certified welders in SMAW, GTAW, GMAW, FCAW, D1.1 and B2.1

> Pipe Fitting

- Welding (Stainless Steel, ductile iron, black iron)
- Threading (Stainless Steel, ductile iron, black iron)
- Soldering/Brazing (copper)
- Pro-press (Stainless steel and Copper)
- We can meet ASME B31.3 Industrial Pipe Standards

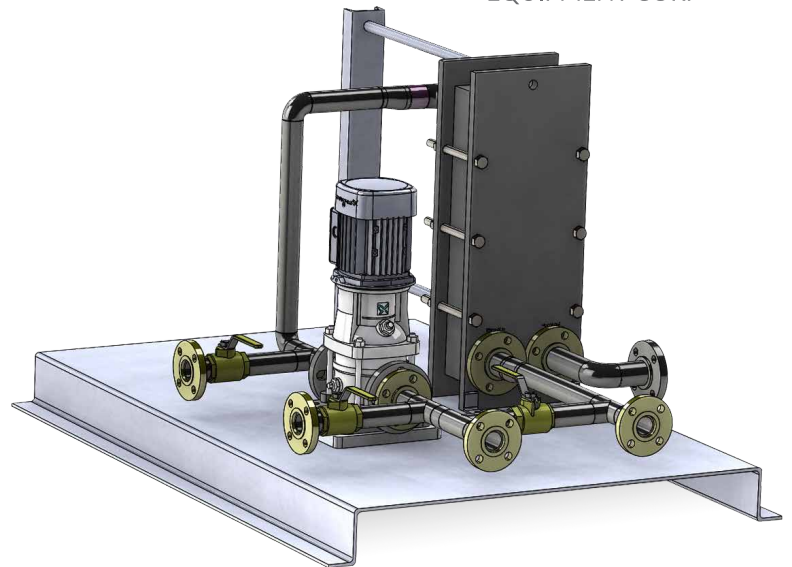
> Assembly

> Design services for custom/specialty builds

> Plasma Cutting

> Machining services

- Milling and Turning
- Punching
- Metal Rolling



> Press Brake Forming - Steel Bending up to 48" of 3/8" stainless steel

> Repair work

> Preventative maintenance

> Transport and installation of large equipment up to 20,000lbs

> The majority of our fabrication services are done in-house however we do mobilize for local on-site repair work

